

# VOLTAGE CONTROLLED CRYSTAL OSCILLATORS

## VC500



### FEATURES

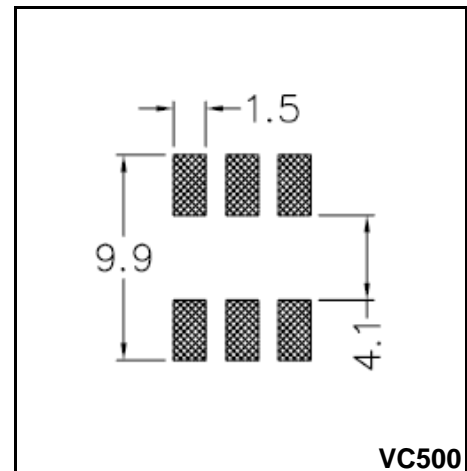
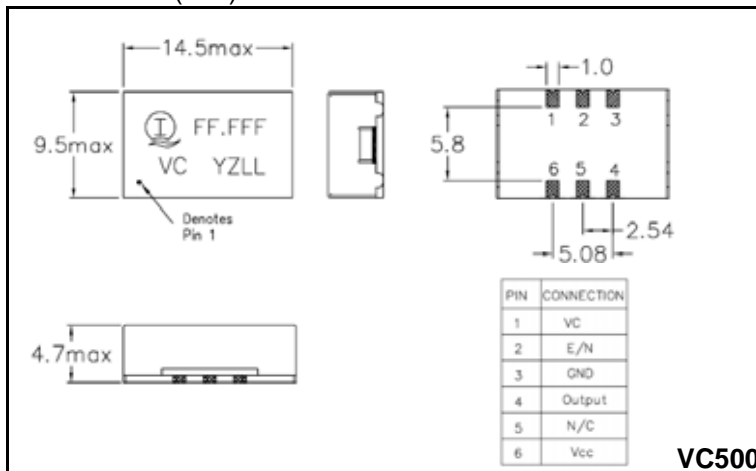
- Surface mount package
- Pick and place assembly
- Low cost to performance ratio



Item		Specifications
Nominal Frequency Range		1.0MHz ~ 40.0MHz
Frequency Stability		±25ppm, ±50ppm
Operating Temperature Range		-10°C to 70°C, -40°C to 85°C
Storage Temperature Range		-55°C to 125°C
Supply Voltage (V <sub>DD</sub> )		3.3V±10%, 5.0V±10%
Current Consumption	1.0MHz ~ 40.0MHz	30mA Max.
Rise & Fall Time	1.0MHz ~ 40.0MHz	8ns Max.
Output Waveform		CMOS, HCMOS
Duty Cycle		40% ~ 60%
Absolute Pulling Range		±50ppm, ±100ppm
Nominal Control Voltage		+1.6V ± 0.05V or +2.5V ± 0.05V
Control Voltage Range		+1.6V ± 1.35V or +2.5V ± 2.0V
Output Voltage	V <sub>OH</sub>	2.4V <sub>DD</sub> or 0.9V <sub>DD</sub>
	V <sub>OL</sub>	0.4V <sub>DD</sub> or 0.1V <sub>DD</sub>
Output Current		±8mA Max.
Linearity		±10%
Slope		Positive
Modulation Frequency Bandwidth		5KHz Min.
Input Impedance		10KΩ Min.
Phase Noise	10Hz	-75dBc / Hz
	10KHz	-145dBc / Hz
Start-up Time		10ms Max.

Please consult our sales representatives for other specifications.

### DIMENSION (mm)



All specifications are subject to change without notice.



**Interquip Electronics Co., Ltd**

Flat A, 9/F, On Shing Industrial Building, 2-16 Wo Liu Hang Road, Fotan, Hong Kong

Tel: +852 2413 5515

Fax: +852 2413 7053

<http://www.interquip.com>