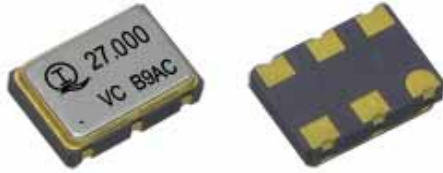


# SMD VOLTAGE CONTROLLED CRYSTAL OSCILLATORS

## VC420



### FEATURES

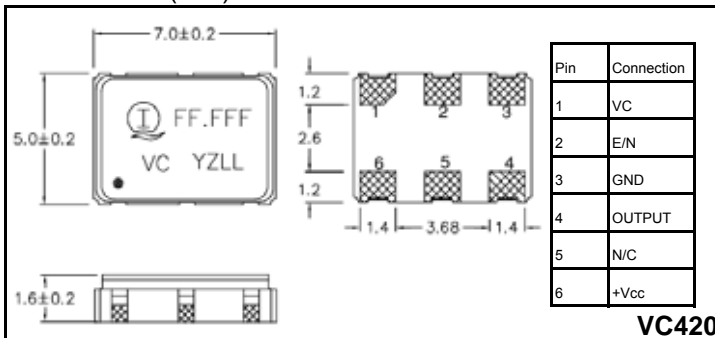
- Compact size
- Low profile
- Pick and place assembly
- Low cost to performance ratio



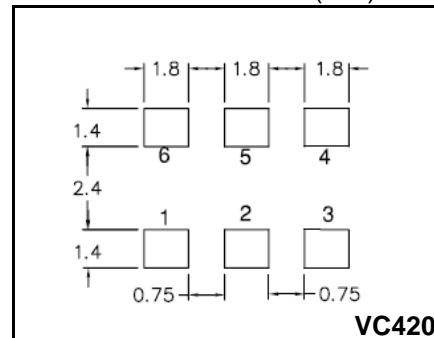
Item	Specifications	
Nominal Frequency Range	1.0MHz ~ 40.0MHz	
Frequency Stability <sup>1</sup>	±25ppm, ±50ppm	
Operating Temperature Range	-10°C to 70°C, -40°C to 85°C	
Storage Temperature Range	-55°C to 125°C	
Supply Voltage (V <sub>DD</sub> )	3.3V±5%, 5.0V±5%,	
Current Consumption	30mA Max.	
Rise & Fall Time	8ns Max.	
Pulling Range	±100ppm	
Control Voltage Range	1.6V±1.35V, 2.5V±2.0V	
Linearity	10%	
Slope	Positive	
Output Waveform	CMOS, HCMOS	
Modulation Bandwidth (BW)	5KHz Min.	
Input Impedance	10KΩ Min.	
Duty Cycle	40% ~ 60%	
Output Voltage	V <sub>OH</sub>	90% V <sub>DD</sub>
	V <sub>OL</sub>	10% V <sub>DD</sub>
Phase Noise	10Hz	-70dBc/Hz
	10KHz	-130dBc/Hz
Output Load	15pF	
Start-up Time	10ms Max.	

<sup>1</sup> Inclusive of initial frequency tolerance at 25°C, operating temperature range, supply voltage change, load variation and 1st year aging. Please consult our sales representatives for other specifications.

### DIMENSION (mm)



### SOLDERING PATTERN (mm)



All specifications are subject to change without notice.



**Interquip Electronics Co., Ltd**

Flat A, 9/F, On Shing Industrial Building, 2-16 Wo Liu Hang Road, Fotan, Hong Kong  
 Tel: +852 2413 5515 Fax: +852 2413 7053 <http://www.interquip.com>