

SMD Temperature Compensated Crystal Oscillators

TC510



FEATURES

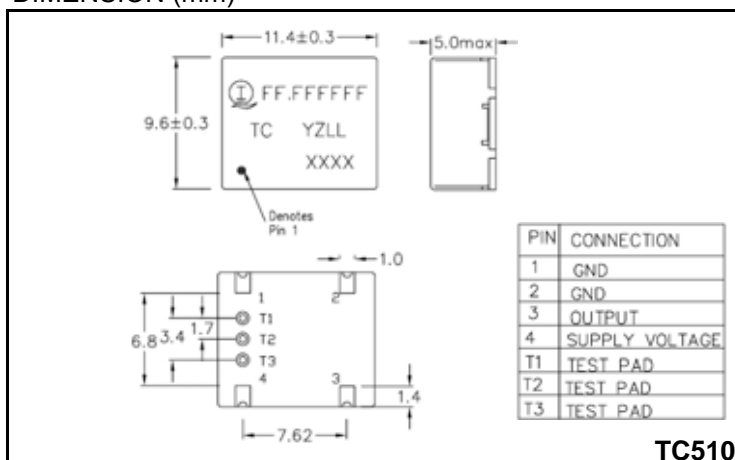
- Surface mount package
- Pick and place assembly
- Low profile version (2mm) available
- Optional voltage control function



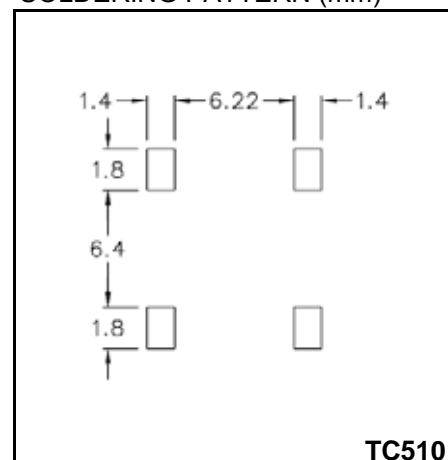
Item	Specifications	
Nominal Frequency Range	8.0MHz ~ 40.0MHz	
Frequency Stability Over Operating Temperature	0°C to 50°C	±1.0ppm
	-10°C to 60°C	±1.5ppm
	-20°C to 70°C	±2.0ppm
	-30°C to 75°C	±2.5ppm
	-40°C to 85°C	±5.0ppm
Frequency Stability Over Operating Temperature	vs. Aging	±1.0ppm / year
	vs. Supply Voltage	±0.3ppm ($V_{CC} \pm 5\%$)
	vs. Output Load	±0.2ppm (Standard Load $\pm 10\%$)
Storage Temperature Range	-55°C to 125°C	
Supply Voltage (V_{DD})	3.3V $\pm 5\%$, 5.0V $\pm 5\%$	
Supply Current	3mA Max. (Clipped Sine)	
Jitter	3pS RMS	
Phase Noise	100Hz	-110dBc/Hz
	1KHz	-125dBc/Hz
	10KHz	-135dBc/Hz
	100KHz	-135dBc/Hz
Output and Load Characteristics	Output Waveform	Clipped Sine
	Output Levels	1V pk to pk
	Duty Cycle	-
	Rise / Fall Time	-
	Load	10K Ω // 10pF
Frequency Control Range (For VCTCXO)	±3ppm to ±8ppm	
Control Voltage Range (For VCTCXO)	+1.65V \pm 1.5V or +2.5V \pm 2.0V	

Please consult our sales representatives for other specifications.

DIMENSION (mm)



SOLDERING PATTERN (mm)



All specifications are subject to change without notice.



Interquip Electronics Co., Ltd

Flat A, 9/F, On Shing Industrial Building, 2-16 Wo Liu Hang Road, Fotan, Hong Kong
 Tel: +852 2413 5515 Fax: +852 2413 7053 <http://www.interquip.com>