

OVEN CONTROLLED CRYSTAL OSCILLATORS

OC500



FEATURES

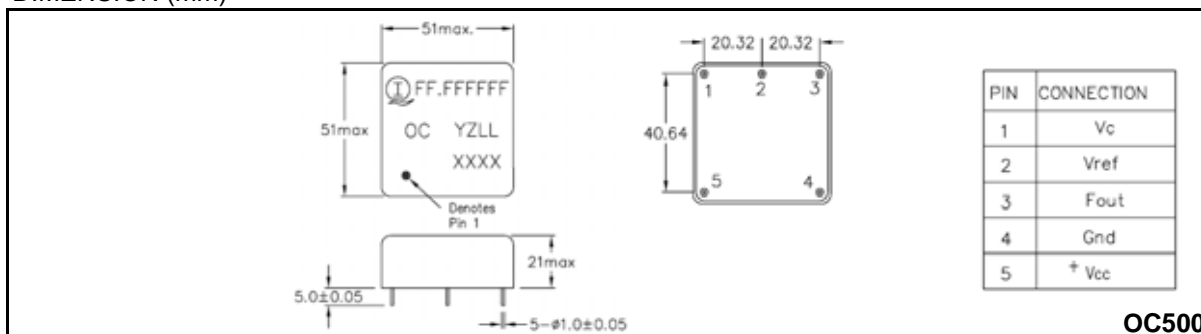
- SC-Cut Crystal
- High precision
- Low aging
- Low phase noise



Item	Specifications		
	560	570	580
Frequency Range	5.0MHz ~ 20.0MHz		
Standard Frequency	5.0MHz	5.0MHz	10.0MHz
	8.192MHz	16.384MHz	13.0MHz
	10.0MHz		16.384MHz
	13.0MHz		-
Long Term Stability Per Year	$\pm 5 \times 10^{-8}$ Max	$\pm 5 \times 10^{-8}$ Max	$\pm 5 \times 10^{-8}$ Max
Long Term stability Per Day	$\pm 5 \times 10^{-10}$ Max	$\pm 5 \times 10^{-10}$ Max	$\pm 5 \times 10^{-10}$ Max
Short Term Stability <small>Allan Var. for Tau= 1 sec</small>	$\pm 5 \times 10^{-12}$ Max	$\pm 5 \times 10^{-12}$ Max	$\pm 5 \times 10^{-12}$ Max
Frequency Stability			
vs Operating Temperature	$\pm 5 \times 10^{-8}$ Max	$\pm 5 \times 10^{-9}$ Max	$\pm 5 \times 10^{-9}$ Max
vs Load Variation $\pm 10\%$ (50 Ω Load)	$\pm 3 \times 10^{-10}$ Max	$\pm 3 \times 10^{-10}$ Max	$\pm 3 \times 10^{-10}$ Max
vs Supply Voltage Variation $\pm 10\%$	$\pm 3 \times 10^{-10}$ Max	$\pm 3 \times 10^{-10}$ Max	$\pm 3 \times 10^{-10}$ Max
Operating Temperature	-10°C to +70°C	-10°C to +70°C	-10°C to +70°C
Storage Temperature	-55°C to +85°C	-55°C to +85°C	-55°C to +85°C
Frequency Adjustment	$\pm 3 \times 10^{-7}$ Max	$\pm 3 \times 10^{-7}$ Max	$\pm 3 \times 10^{-7}$ Max
Supply Voltage	12Vdc $\pm 10\%$	12Vdc $\pm 10\%$	5Vdc $\pm 10\%$
Current Consumption at 25°C	120mA Max.	120mA Max.	300mA Max.
Current Consumption at Warm Up	500mA Max.	500mA Max.	800mA Max.
Output Signal	Sine	Sine	HCMOS
Level	225mV Min.	225mV Min.	10K Ω / 15pf
Warm Up Time (Within 5×10^{-8})	5 Min Max.	5 Min Max.	5 Min Max.
Warm Up Time (Within 2×10^{-8})	8 Min Min.	8 Min Min.	8 Min Min.
Phase Noise	10Hz	-125dBc/Hz	-122dBc/Hz
	10KHz	-155dBc/Hz	-152dBc/Hz
Shock	175g		
Vibration	1-500Hz, 10g		
Humidity	98% at +35°C		

Please consult our sales representatives for other specifications.

DIMENSION (mm)



OC500

All specifications are subject to change without notice.



Interquip Electronics Co., Ltd

Flat A, 9/F, On Shing Industrial Building, 2-16 Wo Liu Hang Road, Fotan, Hong Kong
Tel: +852 2413 5515 Fax: +852 2413 7053 <http://www.interquip.com>