

AT-CUT CRYSTAL RESONATORS

THHF-49U



FEATURES

AT-cut crystal performance
Wide frequency range
Standard and moderate precision available
available



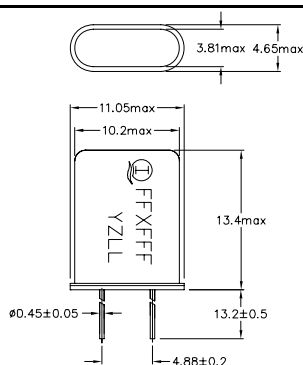
Item		Specifications
Nominal Frequency Range	f_0	1.8432MHz ~ 40.0MHz (Fundamental)
		40.0MHz ~ 125.0MHz (3rd Overtone)
Frequency Tolerance, $T_a=25^\circ\text{C} \pm 3^\circ\text{C}$	$\Delta f/f$	$\pm 30\text{ppm}$
Load Capacitance	C_L	18pF, or customer specify
Frequency Tolerance over Operating Temperature Range	$\Delta f/f$	$\pm 30\text{ppm}$
Operating Temperature Range	T_{OPR}	-10°C to 70°C
Storage Temperature Range	T_{STG}	-40°C to 85°C
Drive Level	DL	0.1mW (1mW Max.)
Shunt Capacitance	C_0	7pF Max.
Insulation Resistance	IR	500M Ω Min.
Aging	Δf_A	$\pm 5\text{ppm/Year Max.}$

SERIES RESISTANCE (ESR)						
Frequency Range	1.8432< f_0 2.3	2.3< f_0 3.0	3.0< f_0 3.5	3.5< f_0 4.5	4.5< f_0 7.0	7.0< f_0 15.0
ESR	450 Ω Max.	300 Ω Max.	150 Ω Max.	90 Ω Max.	70 Ω Max.	40 Ω Max.

Frequency Range	15.0< f_0 40.0	40.0< f_0 75.0 (3.O.T)	75.0< f_0 100.0 (3.O.T)	100.0< f_0 125.0 (3.O.T)
ESR	30 Ω Max.	40 Ω Max.	35 Ω Max.	30 Ω Max.

Please consult our sales representatives for other specifications.

DIMENSION (mm)



THHF-49U

All specifications are subject to change without notice.



Interquip Electronics Co., Ltd

Flat A, 9/F, On Shing Industrial Building, 2-16 Wo Liu Hang Road, Fotan, Hong Kong
Tel: +852 2413 5515 Fax: +852 2413 7053 <http://www.interquip.com>