

SURFACE MOUNT QUARTZ CRYSTAL RESONATORS

SMHF-49B / SMHF-49C / SMHF-49D



FEATURES

- AT-cut crystal performance
- Wide frequency range
- Standard and moderate precision available
- Low profile package



Item		Specifications
Nominal Frequency Range	f_0	3.5MHz ~ 40.0MHz (Fundamental)
		30.0MHz ~ 80.0MHz (3rd Overtone)
Frequency Tolerance, $T_a=25^\circ\text{C} \pm 3^\circ\text{C}$	$\Delta f/f$	$\pm 30\text{ppm}$
Load Capacitance	C_L	18pF, or customer specify
Frequency Tolerance over Operating Temperature Range	$\Delta f/f$	$\pm 30\text{ppm}$
Operating Temperature Range	T_{OPR}	-10°C to 70°C
Storage Temperature Range	T_{STG}	-40°C to 85°C
Drive Level	DL	0.1mW (1mW Max.)
Shunt Capacitance	C_0	7pF Max.
Insulation Resistance	IR	500M Ω Min.
Aging	Δf_A	$\pm 5\text{ppm/Year}$ Max.

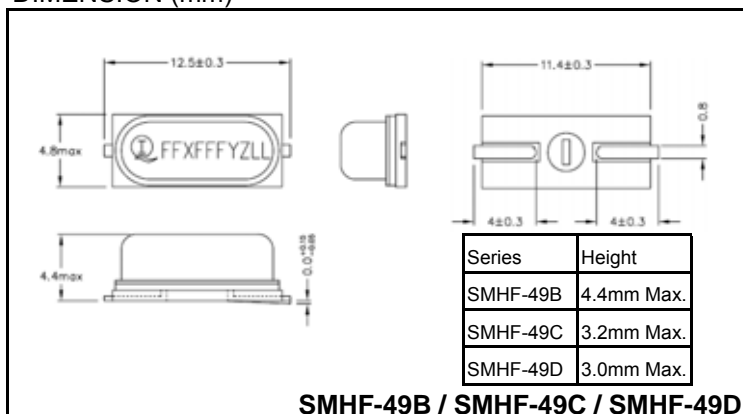
SERIES RESISTANCE (ESR)

Frequency Range	3.5< f_0 4.5	4.5< f_0 6.0	6.0< f_0 8.0	8.0< f_0 12.0	12.0< f_0 15.0	15.0< f_0 18.0
ESR	120 Ω Max.	90 Ω Max.	70 Ω Max.	60 Ω Max.	40 Ω Max.	30 Ω Max.

Frequency Range	18.0< f_0 40.0	30.0< f_0 35.0 (3.O.T)	35.0< f_0 40.0 (3.O.T)	40.0< f_0 80.0 (3.O.T)
ESR	25 Ω Max.	100 Ω Max.	80 Ω Max.	70 Ω Max.

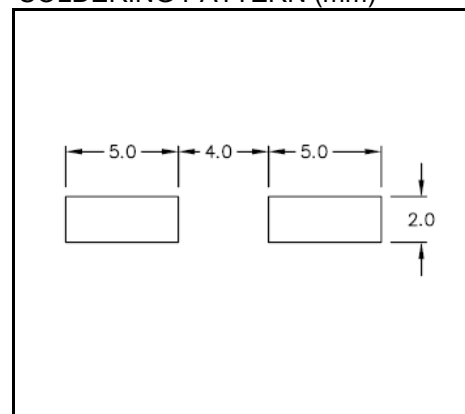
Please consult our sales representatives for other specifications

DIMENSION (mm)



All specifications are subject to change without notice.

SOLDERING PATTERN (mm)



Interquip Electronics Co., Ltd

Flat A, 9/F, On Shing Industrial Building, 2-16 Wo Liu Hang Road, Fotan, Hong Kong
 Tel: +852 2413 5515 Fax: +852 2413 7053 <http://www.interquip.com>