

SMD CERAMIC RESONATOR

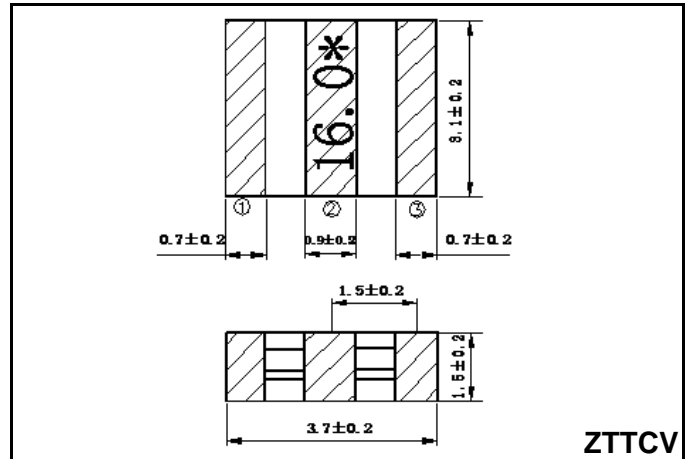
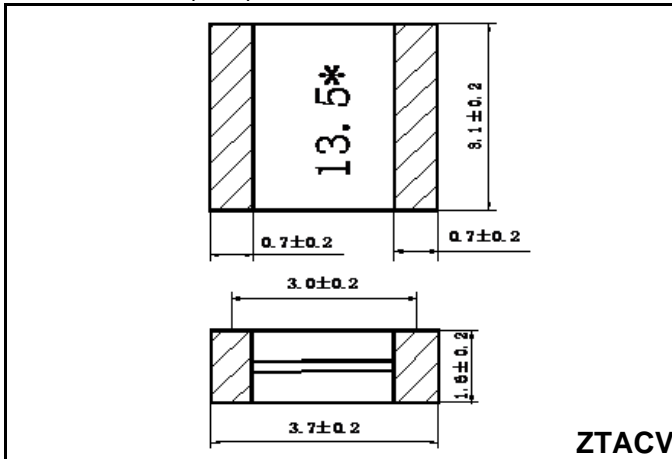
ZTACV / ZTTCV



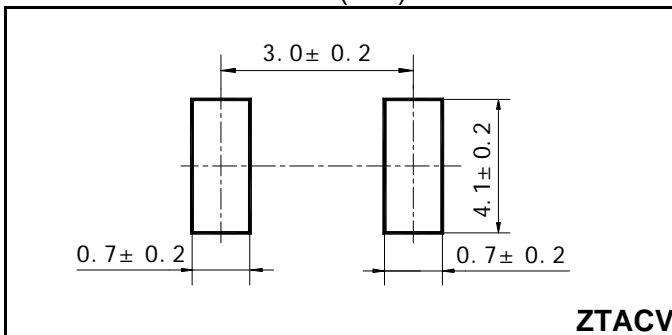
| Item | | Specifications |
|---|------------------|---|
| Nominal Frequency Range | f_0 | 6.00MHz ~ 13.00MHz (MT) |
| | | 13.01MHz ~ 60.00MHz (MX) |
| Frequency Tolerance, $T_a=25^\circ\text{C} \pm 3^\circ\text{C}$ | $\Delta f/f$ | $\pm 0.5\%$ |
| Frequency Tolerance over Operating Temperature Range | $\Delta f/f$ | $\pm 0.3\%$ |
| Operating Temperature Range | T_{OPR} | -25°C to 85°C |
| Storage Temperature Range | T_{STG} | -55°C to 85°C |
| Withstanding Voltage | V | 50V (DC, 1 Min) |
| Rating Voltage | U_R (V) | 6V DC |
| | | 15V p-p |
| Insulation Resistance | IR | 100M Ω Min. (10V, 1 min) |
| Aging (10 Years) | Δf_A | $\pm 0.3\%$ |

Please consult our sales representatives for other specifications.

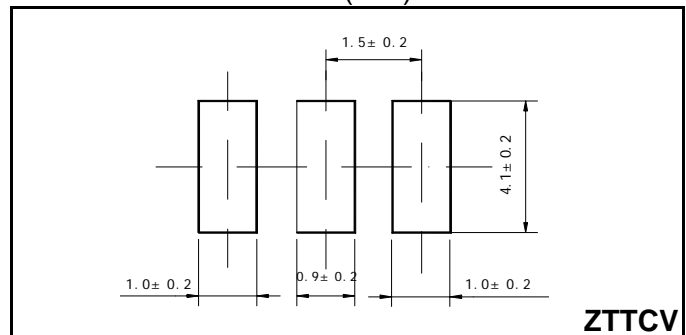
DIMENSION (mm)



SOLDERING PATTERN (mm)



SOLDERING PATTERN (mm)



All specifications are subject to change without notice.



Interquip Electronics Co., Ltd

Flat A, 9/F, On Shing Industrial Building, 2-16 Wo Liu Hang Road, Fotan, Hong Kong
 Tel: +852 2413 5515 Fax: +852 2413 7053 <http://www.interquip.com>