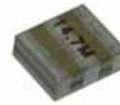


SMD CERAMIC RESONATOR

ZTACS / ZTTCS



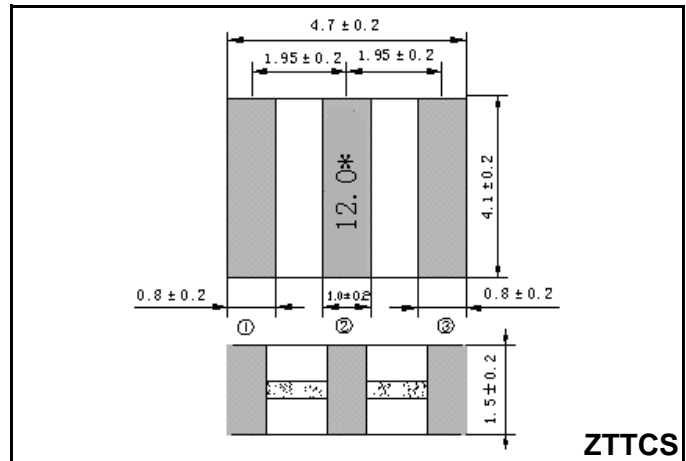
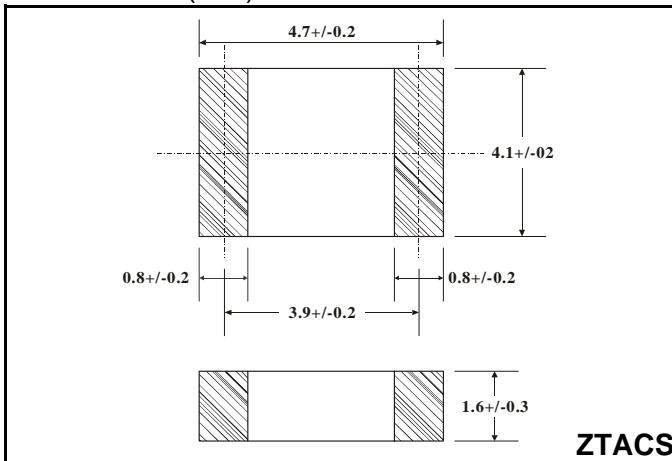
ZTACS

ZTTCS

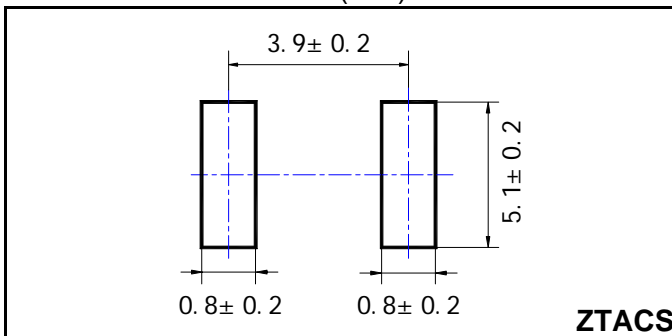
Item		Specifications
Nominal Frequency Range	f_0	6.00MHz ~ 13.00MHz (MT)
		13.01MHz ~ 60.00MHz (MX)
Frequency Tolerance, $T_a=25^\circ\text{C} \pm 3^\circ\text{C}$	$\Delta f/f$	$\pm 0.5\%$
Frequency Tolerance over Operating Temperature Range	$\Delta f/f$	$\pm 0.3\%$
Operating Temperature Range	T_{OPR}	-25°C to 85°C
Storage Temperature Range	T_{STG}	-55°C to 85°C
Withstanding Voltage	V	50V (DC, 1 Min)
Rating Voltage	U_R (V)	6V DC
		15V p-p
Insulation Resistance	IR	100M Ω Min. (10V, 1 min)
Aging (10 Years)	Δf_A	$\pm 0.3\%$

Please consult our sales representatives for other specifications.

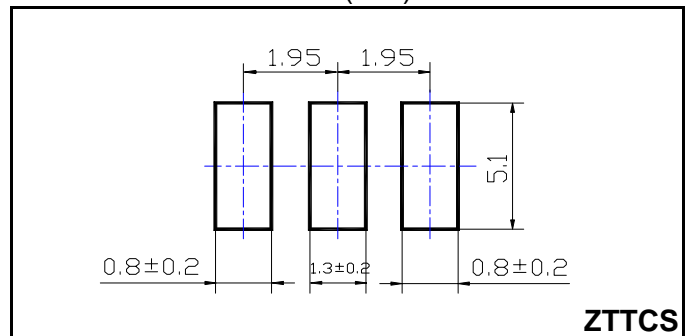
DIMENSION (mm)



SOLDERING PATTERN (mm)



SOLDERING PATTERN (mm)



All specifications are subject to change without notice.



Interquip Electronics Co., Ltd

Flat A, 9/F, On Shing Industrial Building, 2-16 Wo Liu Hang Road, Fotan, Hong Kong
 Tel: +852 2413 5515 Fax: +852 2413 7053 <http://www.interquip.com>