

# SMD CERAMIC RESONATOR

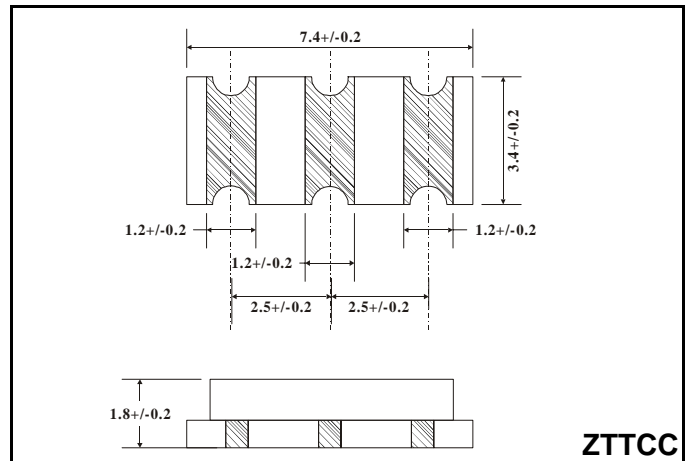
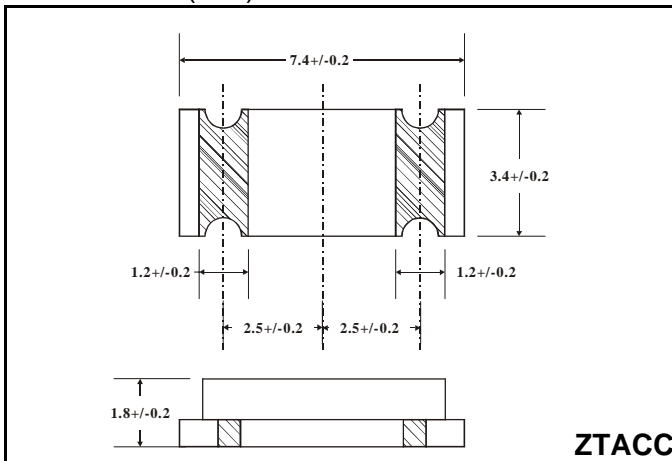
## ZTACC / ZTTCC



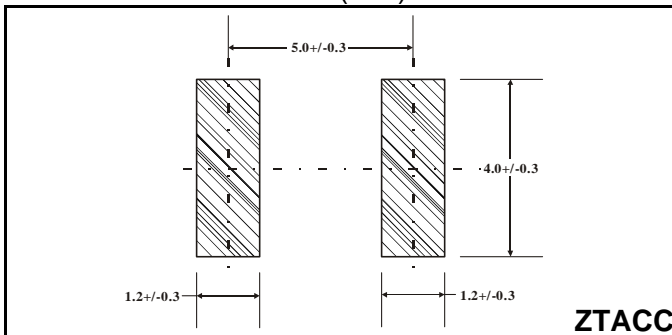
Item		Specifications
Nominal Frequency Range	$f_0$	1.79MHz ~ 8.00MHz
Frequency Tolerance, $T_a=25^\circ\text{C} \pm 3^\circ\text{C}$	$\Delta f/f$	$\pm 0.5\%$
Frequency Tolerance over Operating Temperature Range	$\Delta f/f$	$\pm 0.3\%$
Operating Temperature Range	$T_{\text{OPR}}$	$-25^\circ\text{C}$ to $85^\circ\text{C}$
Storage Temperature Range	$T_{\text{STG}}$	$-55^\circ\text{C}$ to $85^\circ\text{C}$
Withstanding Voltage	V	50V (DC, 1 Min)
Rating Voltage	$U_R$ (V)	6V DC
		15V p-p
Insulation Resistance	IR	100M $\Omega$ Min. (10V, 1 min)
Aging (10 Years)	$\Delta f_A$	$\pm 0.3\%$

Please consult our sales representatives for other specifications.

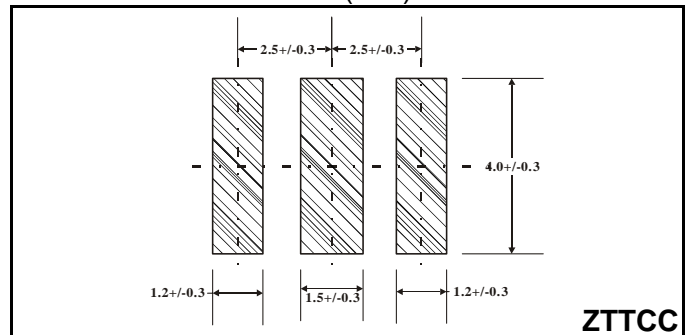
### DIMENSION (mm)



### SOLDERING PATTERN (mm)



### SOLDERING PATTERN (mm)



All specifications are subject to change without notice.



**Interquip Electronics Co., Ltd**

Flat A, 9/F, On Shing Industrial Building, 2-16 Wo Liu Hang Road, Fotan, Hong Kong  
 Tel: +852 2413 5515 Fax: +852 2413 7053 <http://www.interquip.com>