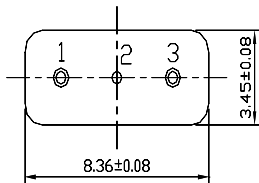
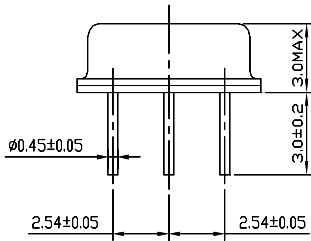
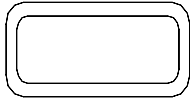
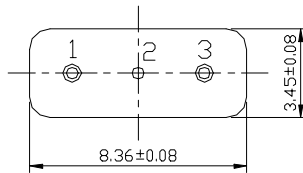
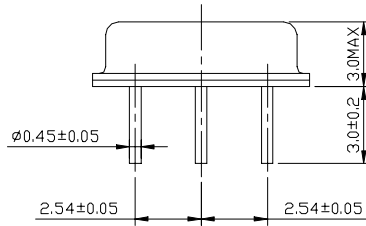
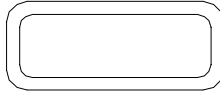


Product drawings (SAW Devices)

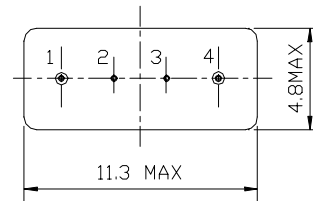
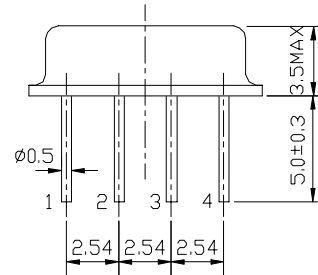
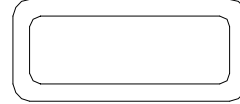
D11



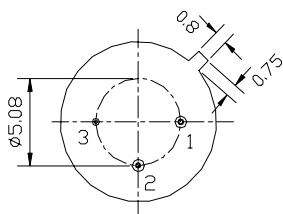
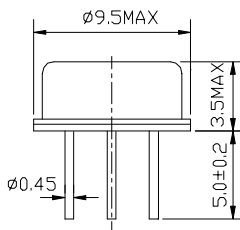
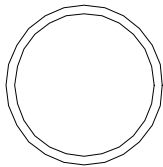
D12



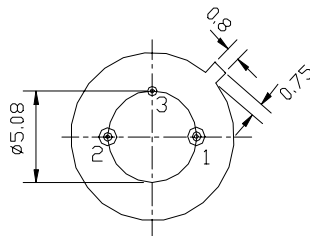
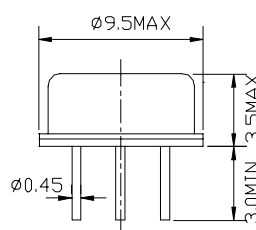
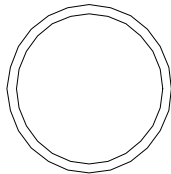
F-11



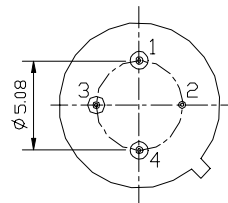
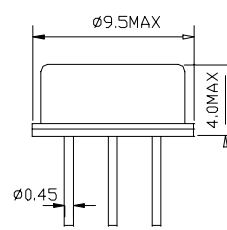
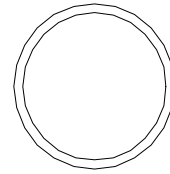
TO-39/3A



TO-36/3B



TO-39/4



*All dimensions are in mm.

** All specifications are subjected to change without notice.

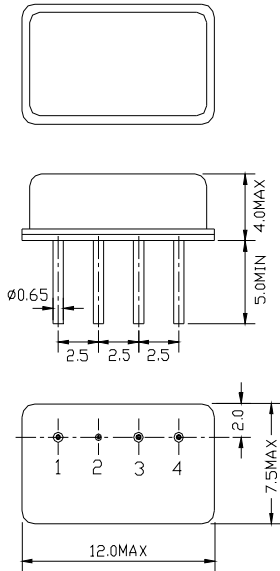


Interquip Electronics Co., Ltd

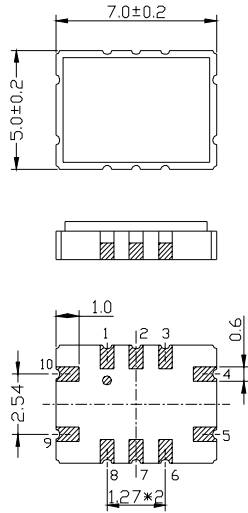
Flat A, 9/F, On Shing Industrial Building, 2-16 Wo Liu Hang Road, Fotan, Hong Kong
Tel: +852 2413 5515 Fax: +852 2413 7053 <http://www.interquip.com>

Product drawings (SAW Devices)

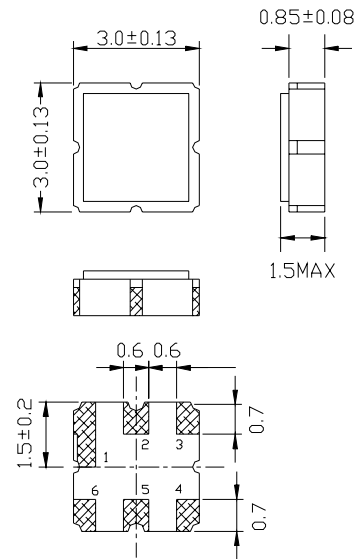
SF-712



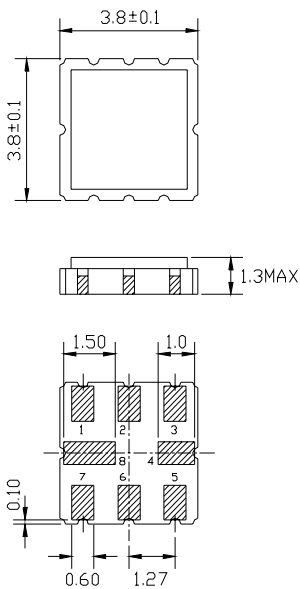
SF-712



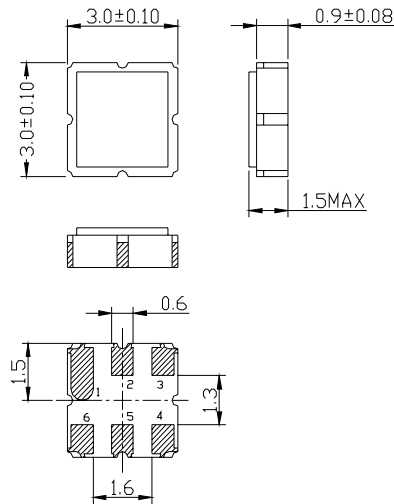
S23



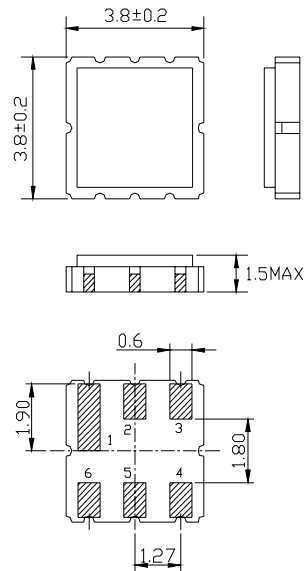
S34



S22



S31



*All dimensions are in mm.

** All specifications are subjected to change without notice.

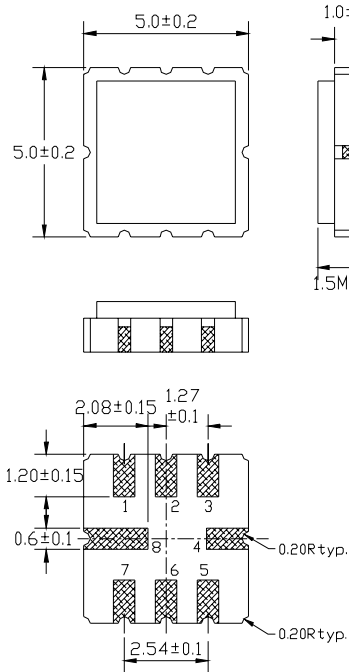


Interquip Electronics Co., Ltd

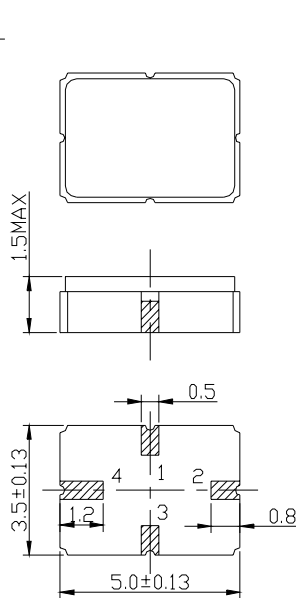
Flat A, 9/F, On Shing Industrial Building, 2-16 Wo Liu Hang Road, Fotan, Hong Kong
Tel: +852 2413 5515 Fax: +852 2413 7053 <http://www.interquip.com>

Product drawings (SAW Devices)

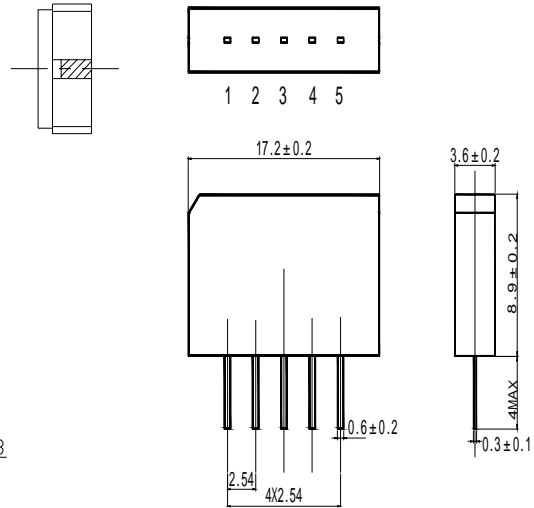
S51



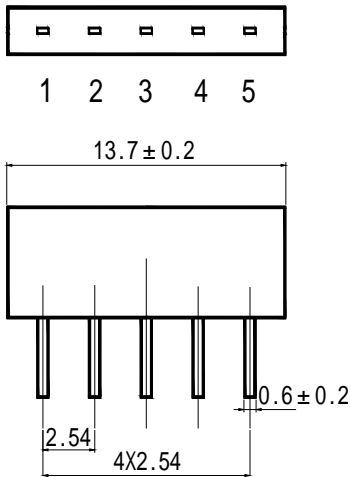
S53



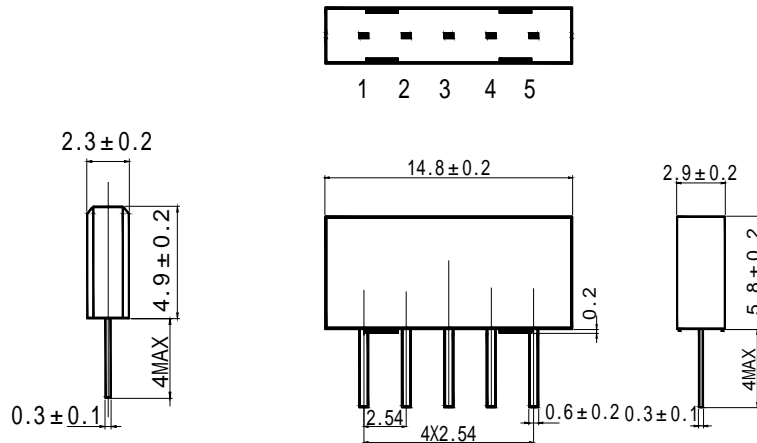
SIP5K



SIP5D



SIP5H



*All dimensions are in mm.

** All specifications are subjected to change without notice.

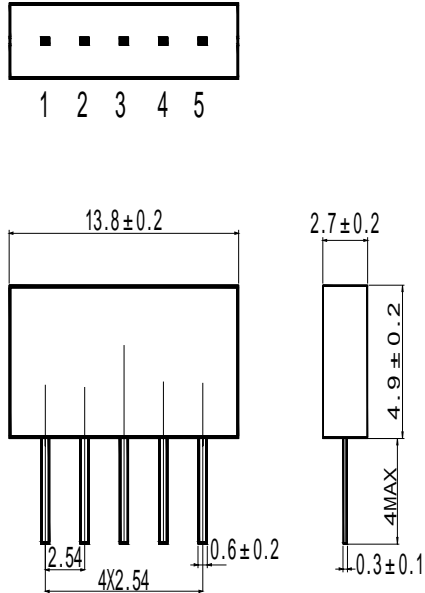


Interquip Electronics Co., Ltd

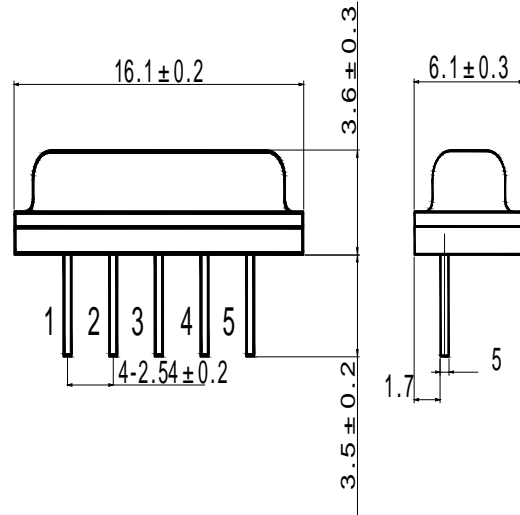
Flat A, 9/F, On Shing Industrial Building, 2-16 Wo Liu Hang Road, Fotan, Hong Kong
 Tel: +852 2413 5515 Fax: +852 2413 7053 <http://www.interquip.com>

Product drawings (SAW Devices)

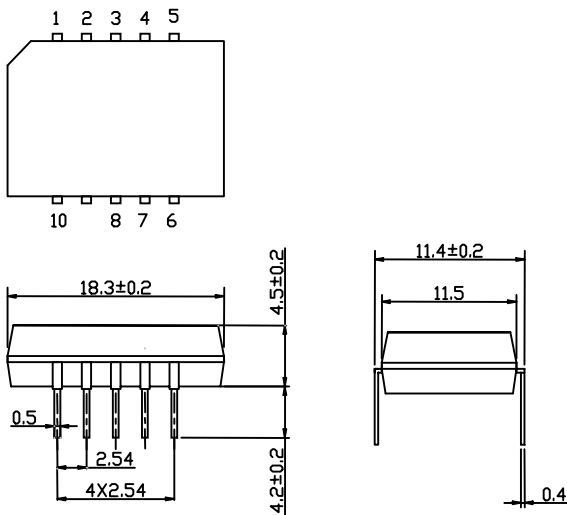
SIP5G



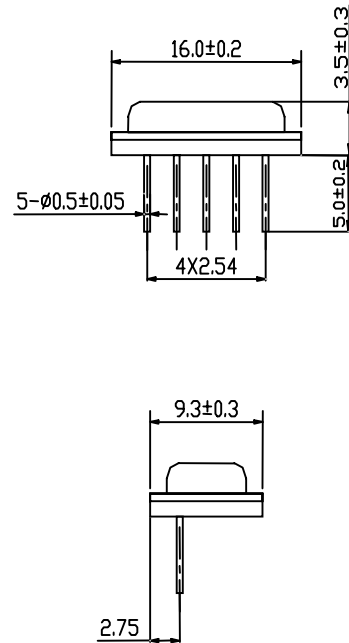
S-6 BA



DIP10K



SF-915



*All dimensions are in mm.

** All specifications are subjected to change without notice.



Interquip Electronics Co., Ltd

Flat A, 9/F, On Shing Industrial Building, 2-16 Wo Liu Hang Road, Fotan, Hong Kong
 Tel: +852 2413 5515 Fax: +852 2413 7053 <http://www.interquip.com>