

ALL QUARTZ CRYSTAL OSCILLATORS

161 Series



FEATURES

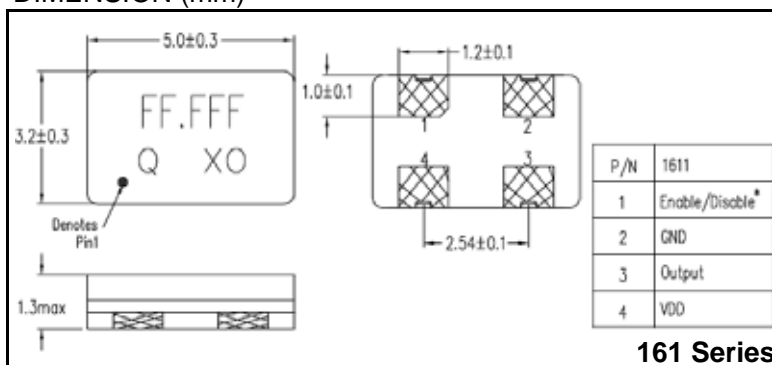
- Epoxy Resin Hermetic Seal
- Low profile
- Pick and place assembly
- Pb-free



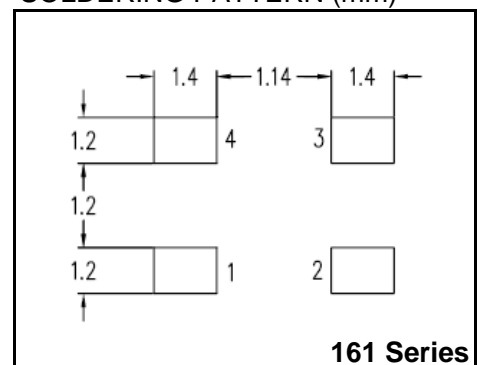
Item	Specifications	
Nominal Frequency Range	2.0MHz ~ 48.0MHz	
Frequency Stability ¹	±50ppm, ±100ppm	
Operating Temperature Range	0°C to 70°C	
Storage Temperature Range	-55°C to 125°C	
Supply Voltage (V _{DD})	3.3V±10%. 5.0V±10%	
Current Consumption	30mA Max.	
Rise & Fall Time	8ns Max.	
Output Waveform	CMOS	
Duty Cycle	40% ~ 60%	
Output Voltage	V _{OH}	90% V _{DD}
	V _{OL}	10% V _{DD}
Output Load	15pF	
Start-up Time	10ms Max.	

¹ Inclusive of initial frequency tolerance at 25°C, operating temperature range, supply voltage change, load variation and 1st year aging. Please consult our sales representatives for other specifications.

DIMENSION (mm)



SOLDERING PATTERN (mm)



All specifications are subject to change without notice.



Interquip Electronics Co., Ltd

Flat A, 9/F, On Shing Industrial Building, 2-16 Wo Liu Hang Road, Fotan, Hong Kong
 Tel: +852 2413 5515 Fax: +852 2413 7053 <http://www.interquip.com>