

SURFACE MOUNT QUARTZ CRYSTAL RESONATORS

SMHF-UM1A / SMHF-UM5A



FEATURES

- AT-cut crystal performance
- Tight tolerance
- Excellent frequency-temperature stability
- Excellent for wireless telecom application



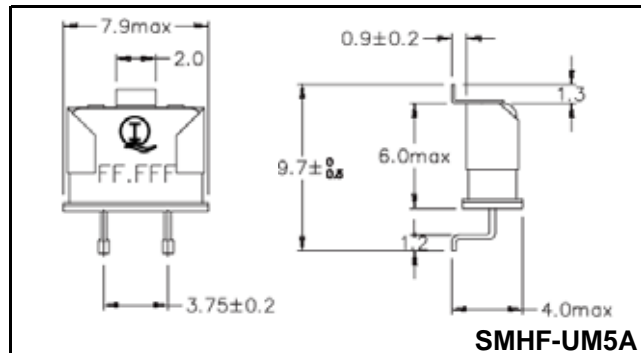
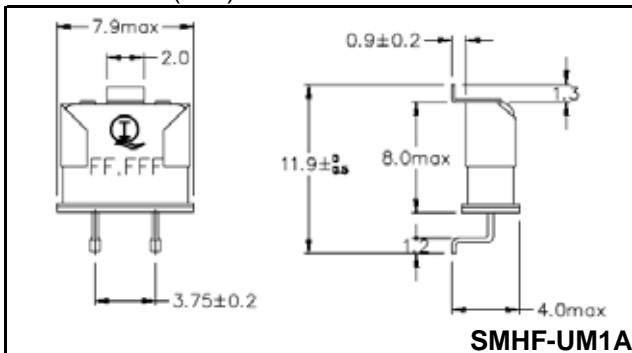
Item		Specifications
Nominal Frequency Range	f_0	3.5MHz ~ 40.0MHz (Fundamental)
		30.0MHz ~ 80.0MHz (3rd Overtone)
Frequency Tolerance, $T_a=25^\circ\text{C} \pm 3^\circ\text{C}$	$\Delta f/f$	$\pm 30\text{ppm}$
Load Capacitance	C_L	18pF, or customer specify
Frequency Tolerance over Operating Temperature Range	$\Delta f/f$	$\pm 30\text{ppm}$
Operating Temperature Range	T_{OPR}	-10°C to 70°C
Storage Temperature Range	T_{STG}	-40°C to 85°C
Drive Level	DL	0.1mW (1mW Max.)
Shunt Capacitance	C_0	7pF Max.
Insulation Resistance	IR	500M Ω Min.
Aging	Δf_A	$\pm 5\text{ppm/Year Max.}$

SERIES RESISTANCE (ESR)						
Frequency Range	6.4< f_0 7.0	7.0< f_0 10.0	10.0< f_0 15.0	15.0< f_0 20.0	20.0< f_0 30.0	30.0< f_0 55.0
ESR	70 Ω Max.	50 Ω Max.	40 Ω Max.	30 Ω Max.	25 Ω Max.	Ω Max.

Frequency Range	30.0< f_0 50.0 (3.O.T)	50.0< f_0 60.0 (3.O.T)	60.0< f_0 70.0 (3.O.T)	70.0< f_0 80.0 (3.O.T)
ESR	50 Ω Max.	40 Ω Max.	35 Ω Max.	30 Ω Max.

Please consult our sales representatives for other specifications

DIMENSION (mm)



All specifications are subject to change without notice.



Interquip Electronics Co., Ltd

Flat A, 9/F, On Shing Industrial Building, 2-16 Wo Liu Hang Road, Fotan, Hong Kong

Tel: +852 2413 5515

Fax: +852 2413 7053

<http://www.interquip.com>