



SMCM-5032H



FEATURES

- Ceramic epoxy sealed SMD package
- Wide frequency range
- 2 / 4 pads version available
- Best cost-performance option
- RoHS Compliant and Pb Free

Electrical Specifications

Parameters	Symbol	Specifications
Nominal Frequency Range 标称频率范围	f_0	8.0MHz ~ 32.0MHz
Frequency Tolerance, Ta=25°C ± 3°C 常温频率偏差	$\Delta f/f$	±20ppm, ±30ppm
Load Capacitance 负载电容	C_L	18pF or specify
Frequency Tolerance over Operating Temperature Range 频率温度特性	$\Delta f/f$	±20ppm, ±30ppm or specify
Operating Temperature Range 工作温度	T_{OPR}	-20°C ~ +70°C, -20°C ~ +85°C or specify
Storage Temperature Range 储存温度	T_{STG}	-55°C ~ +125°C
Drive Level 激励功率	DL	100μW Typ.
Shunt Capacitance 静态电容	C_0	7pF Max.
Insulation Resistance 绝缘电阻	IR	500MΩ Min.
Aging 老化率	Δf_A	±5ppm/Year Max.

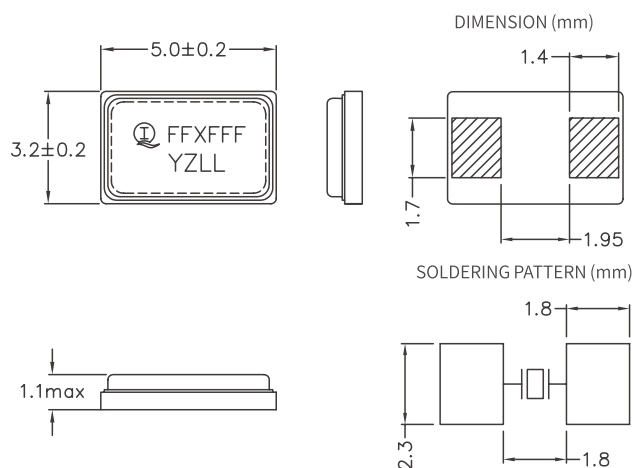
Equivalent Series Resistance (ESR) 串联谐振阻抗

Frequency Range	$8 < f_0 \leq 10$	$10 < f_0 \leq 12$	$12 < f_0 \leq 16$	$16 < f_0 \leq 32$
ESR	100Ω Max.	80Ω Max.	60Ω Max.	30Ω Max.

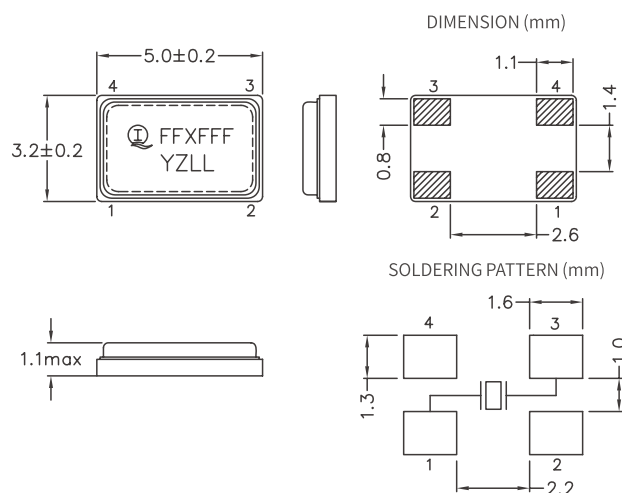
Please consult our sales representatives for other specifications. 如对其他规格查询, 请与我司销售人员联系。

Dimensions

SMCM - 5032H (2 pads)



SMCM - 5032H (4pads)



All specifications are subject to change without prior notice. 本公司保留修改规格的权利。