

FEATURES

- Compact size
- Low profile
- Pick and place assembly
- High reliability seam welded package

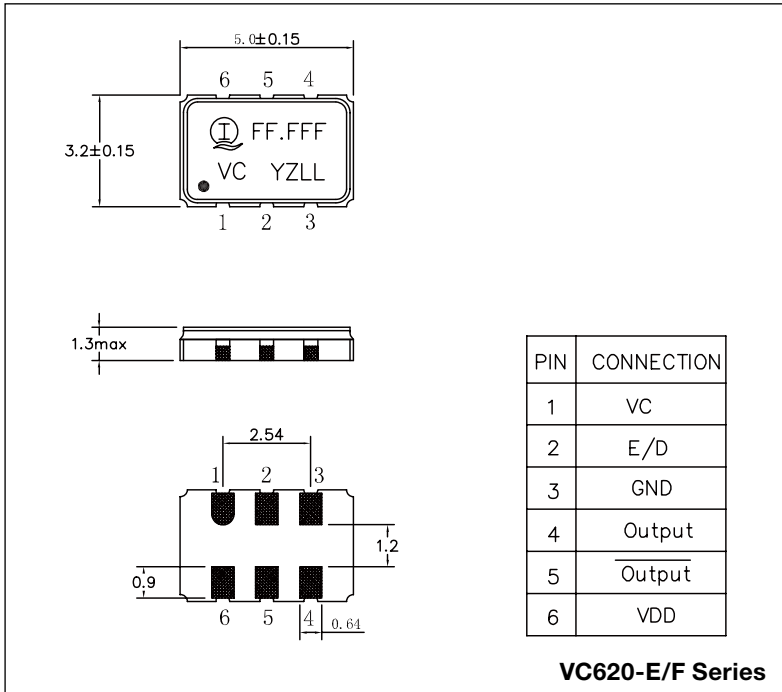


Parameters		Specifications	
Series 系列		VC620-E Series	VC620-F Series
Output Waveform 輸出波型		LVPECL	LVDS
Frequency Range 頻率範圍		10MHz ~ 800MHz	
Supply Voltage Range (Vdd) 工作電壓範圍		3.3V	
Overall Frequency Stability with refer to 25°C** 相對於 25°C 的總頻率偏差**		±25ppm, ±30ppm, ±50ppm	
Operating Temperature Range 工作溫度範圍		-20°C ~ +70°C, -40°C ~ +85°C	
Current Consumption (Idd) 消耗電流		100mA Max.	
Rise & Fall Time 上 / 下沿時間		1.5ns Max.	
Output Symmetry 輸出對稱性		45% ~ 55%	
Output Voltage 輸出電壓	V _{OH}	Vdd - 1.025V Min.	1.40V Typ.
	V _{OL}	Vdd - 1.620V Max.	1.10V Typ.
Control Voltage Range 控制電壓範圍		1.6V±1.35V	
Absolute Pulling Range 絕對牽引範圍		50ppm Min.	
Output Load 輸出負載		50ohm	100ohm
Modulation Bandwidth (BW) 調制頻寬		5KHz Min.	
Start-up Time 起動時間		10ms Max.	
Storage Temperature Range 儲存溫度範圍		-55°C ~ +125°C	

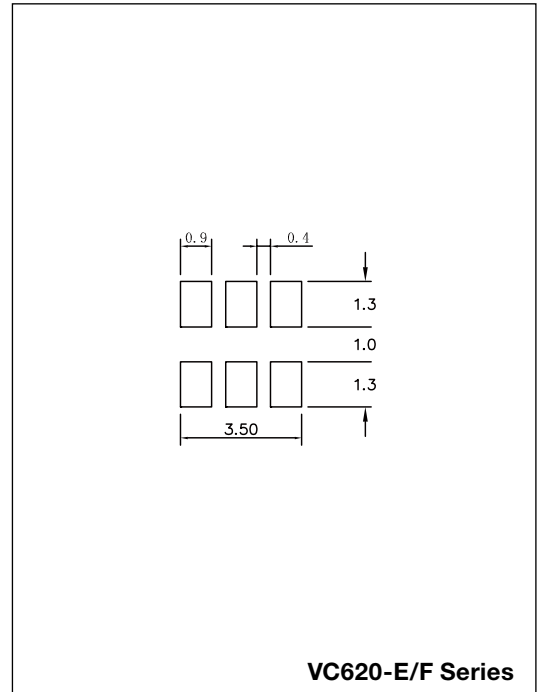
** Inclusive of initial frequency tolerance at 25°C, operating temperature range, supply voltage change, load variation and 1st year aging.
包括在常溫頻率偏差、工作溫度範圍的頻率偏差、首年老化率、工作電壓及負載變化造成的頻率偏差。

Please consult our sales representatives for other specifications
如對其他規格查詢，請與我司銷售人員聯繫

DIMENSION (mm)



SOLDERING PATTERN (mm)



All specifications are subject to change without prior notice.
本公司保留修改規格的權利。

