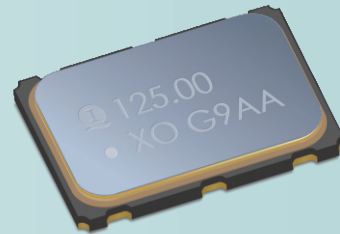


SPXO 7050 (149-E SERIES) LVPECL Output

FEATURES

- High reliability seam welded package
- Excellent low phase noise and jitter
- Suitable for 5G Network terminal
- High Reliability and stability
- RoHS Compliant and Pb Free



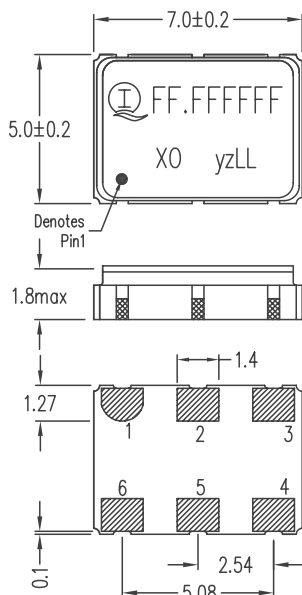
*NRND

Electrical Specifications

Parameters		Specifications
Output Waveform 输出波型		LVPECL
Frequency Range 频率范围		20MHz ~ 200MHz
Supply Voltage Range (Vdd) 工作电压范围		2.5V ~ 3.3V
Overall Frequency Stability 总频率偏差		±50ppm or specify
Operating Temperature Range 工作温度范围		-20°C ~ +70°C, -40°C ~ +85°C
Current Consumption (Idd) 消耗电流		80mA Max.
Rise & Fall Time 上/下沿时间		1ns Max.
Output Symmetry 输出对称性		45% ~ 55%
Output Voltage 输出电压	V _{OH}	Vdd-1.025V Min. Vdd-0.88V Max.
	V _{OL}	Vdd-1.81V Min. Vdd-1.62V Max.
Output Load 输出负载		50Ω to Vdd-2.0V
Start-up Time 起动时间		10ms Max.
Storage Temperature Range 储存温度范围		-55°C ~ +125°C
Phase Jitter (12KHz~20MHz) 相位抖动		1 pSec @ 155MHz

** Inclusive of initial frequency tolerance at 25°C, operating temperature range, supply voltage change, load variation and 1st year aging.
包括在常温频率偏差, 工作温度范围的频率偏差, 首年老化率, 工作电压及负载变化造成的频率偏差。
Please consult our sales representatives for other specifications. 如对其他规格查询, 请与我司销售人员联系。

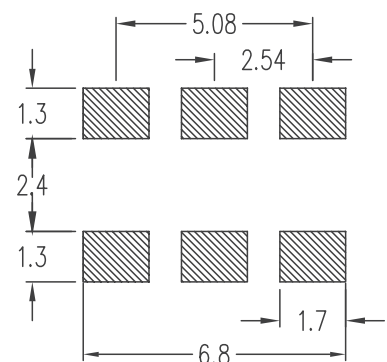
Dimensions



PIN CONNECTION

P/N	1491
1	Enable/Disable
2	NC
3	GND
4	Output
5	Output
6	VDD

DIMENSION (mm)



SOLDERING PATTERN (mm)

All specifications are subject to change without prior notice. 本公司保留修改规格的权利。